



**NOKIA**

# lead the conversation

**Nokia E51** is loaded with business and personal features, long battery life, large internal memory, and high-speed data capabilities via 3G and WLAN connecting you to the people and information you need to succeed at work and in life.

## Features at a glance

- One touch access to email, contacts, calendar, and home
- Quad-band/3G (WCDMA 850/2100) for global coverage
- Supports leading corporate and personal email applications
- 2 megapixel camera, MP3 player and FM Visual Radio
- Customize your Nokia E51 with applications via Nokia Download!

**Nokia for Business**

## Operating Frequency

- Quad-band: EGSM 850/900/1800/1900
- WCDMA 850/2100
- VoIP via integrated WLAN

## Display

- Active matrix 2" colour display (240 x 320), supporting up to 16 million true colours
- Contrast and brightness controls

## User Interface

- S60 3rd Edition, Feature Pack 1, built on Symbian 9.2 operating system
- 5-way Nokia Navi™ key, 2 soft keys, send and end keys
- One Touch keys for email, contacts, calendar and home
- Mute/unmute and volume keys on right hand side
- Power key on top of phone, that can be used as a profile key

## Imaging

- 2 megapixel camera
- Video recording

## Email and Messaging

- Supports POP3, IMAP and SMTP protocols, and Support Nokia Intellisync Wireless Email, Microsoft ActiveSync and other compatible third party email applications
- Attachment viewers and editors
- Instant Messaging client (Yahoo, AOL, OMA 1.2, MSN)
- Multimedia Messaging Service (MMS) and Short Message Service (SMS)
- Predictive text input

## Multimedia

- Audio and video streaming
- Compatible with Nokia Bluetooth stereo headsets
- Music player (MP3/AAC)
- FM Visual Radio
- Digital rights management (DRM) with forward lock

## Memory Function

- Up to 130 MB of user data memory
- Extendible up to 4GB with microSD card (hot swapping)

## Applications

- Java™ MIDP 2.0-based games and applications
- Nokia Office Tools 2.0 supports group email, in-device searches, message reader, and document, spreadsheet, and presentation viewing
- Use the Nokia Download! client to personalize your device with add-on applications

## Connectivity and Data Transfer

- GPRS/EGPRS (Class B, MSC 32)
- Remote and local (peer to peer) synchronization of calendar, contacts, notes and to-do lists via Bluetooth 2.0 technology, IrDA (115 kbps), mini USB connector cable or Nokia PC Suite
- Dual mode transfer (MSC11)
- Integrated WLAN (IEEE 802.11g)
- HSDPA up to 3.6Mbit/s

## Browsing

- (x)HTML Web browsing with Nokia Mini Map

## Personal Information Management (PIM)

- Calendar with weekly view, contacts, to-do list, and notepad – each accessible during a phone call
- Supports PC synchronization with Microsoft Outlook and Lotus Notes via Nokia PC Suite

## Digital Services

- Over-the-air (OTA) download capability for ringtones, contacts, email, WAP, MMS, operator logos, and user group icons
- Image upload/download
- Use the Nokia Download! client to personalize your phone
- Supports Windows Live providing mobile access to Windows Live Messenger and Windows Live Hotmail. Application is available via Download! Tool.

## Voice Features

- Supports voice over internet (VoIP) calls
- WLAN wizard (a.k.a WLAN sniffer)
- 5-way conference calling
- Mute/Unmute
- Talking ringtones
- Voice dialing, commands and recording
- Text-to-speech message reader
- Compatible with add-on business voice solutions

## Sales Package Contents

- Nokia E51 tranciever
- Li-Ion Battery (BP-6MT)
- Travel Charger (AC-5)
- Mini USB connection cable (DKE-2)
- Headset (HS-47)
- Cleaning cloth
- Eseries CD-ROM
- Quickstart guide, User guide

## Power Management

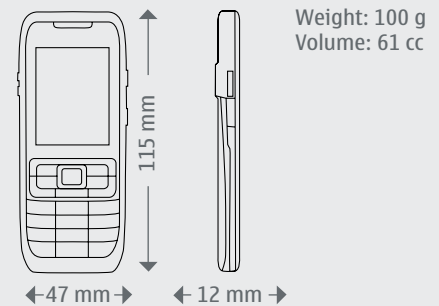
- Battery: BP-6MT
- Talk time\* (est.): Up to 4.4 hours (GSM)
- Standby time (est.): Up to 13 days (GSM)
- Capacity: 1050 mAh

\* Operation times vary depending on the network and usage

## Available Colours



## Dimensions



## Work together. Smarter.

**Americas** Tel: 1 877 997 9199 • Email: [usa@nokiaforbusiness.com](mailto:usa@nokiaforbusiness.com)  
**Asia Pacific** Tel: +65 6588 3364 • Email: [asia@nokiaforbusiness.com](mailto:asia@nokiaforbusiness.com)  
**Europe, Middle East, and Africa** France +33 170 708 166 • UK +44 161 601 8908  
Email: [europe@nokiaforbusiness.com](mailto:europe@nokiaforbusiness.com) or [mea@nokiaforbusiness.com](mailto:mea@nokiaforbusiness.com)

[www.nokiaforbusiness.com](http://www.nokiaforbusiness.com)

NI8 067 041

© 2007 Nokia. All rights reserved. Nokia, Nokia Connecting People, and Nokia E90 Communicator are trademarks or registered trademarks of Nokia Corporation. Java is a trademark of Sun Microsystems, Inc. Other product and company names mentioned herein may be trademarks or trade names of their respective owners. THIS DOCUMENT IS PROVIDED FOR INFORMATIONAL PURPOSES AND IS NOT WARRANTED TO BE ERROR-FREE, NOR IS IT SUBJECT TO ANY OTHER WARRANTIES OR CONDITIONS, WHETHER EXPRESSED OR IMPLIED IN LAW, INCLUDING IMPLIED WARRANTIES AND CONDITIONS OF MERCHANTABILITY OR FITNESS FOR A PARTICULAR PURPOSE. Nokia specifically disclaims any liability with respect to this document, and no contractual obligations are formed either directly or indirectly by this document. Under no circumstances shall Nokia be responsible for any direct, special, incidental, consequential, or indirect damages howsoever caused. Nokia operates a policy of continuous development. Therefore, we reserve the right to make changes and improvements to any of the products described in this document without prior notice.

# NOKIA

Nokia for Business